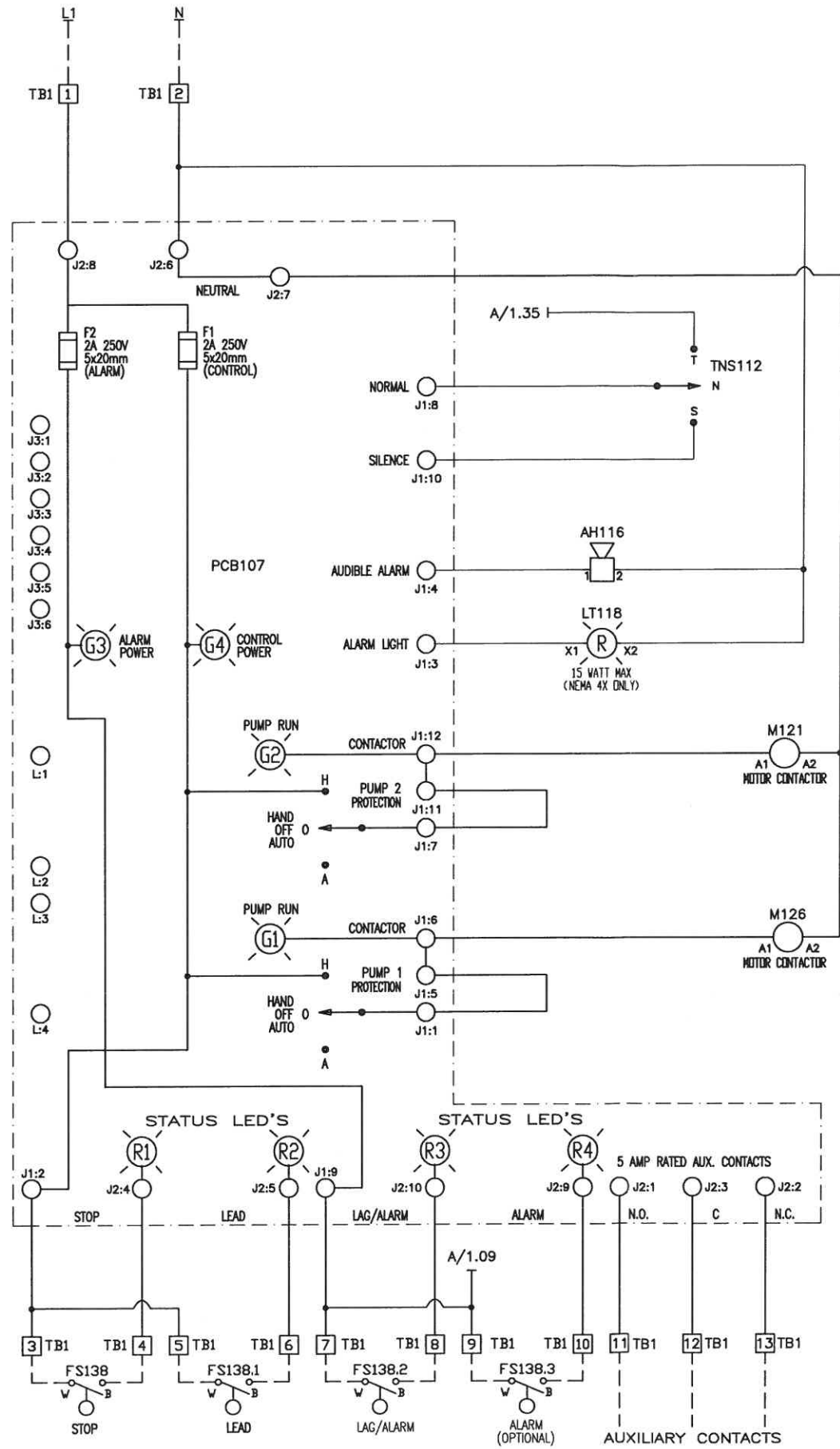


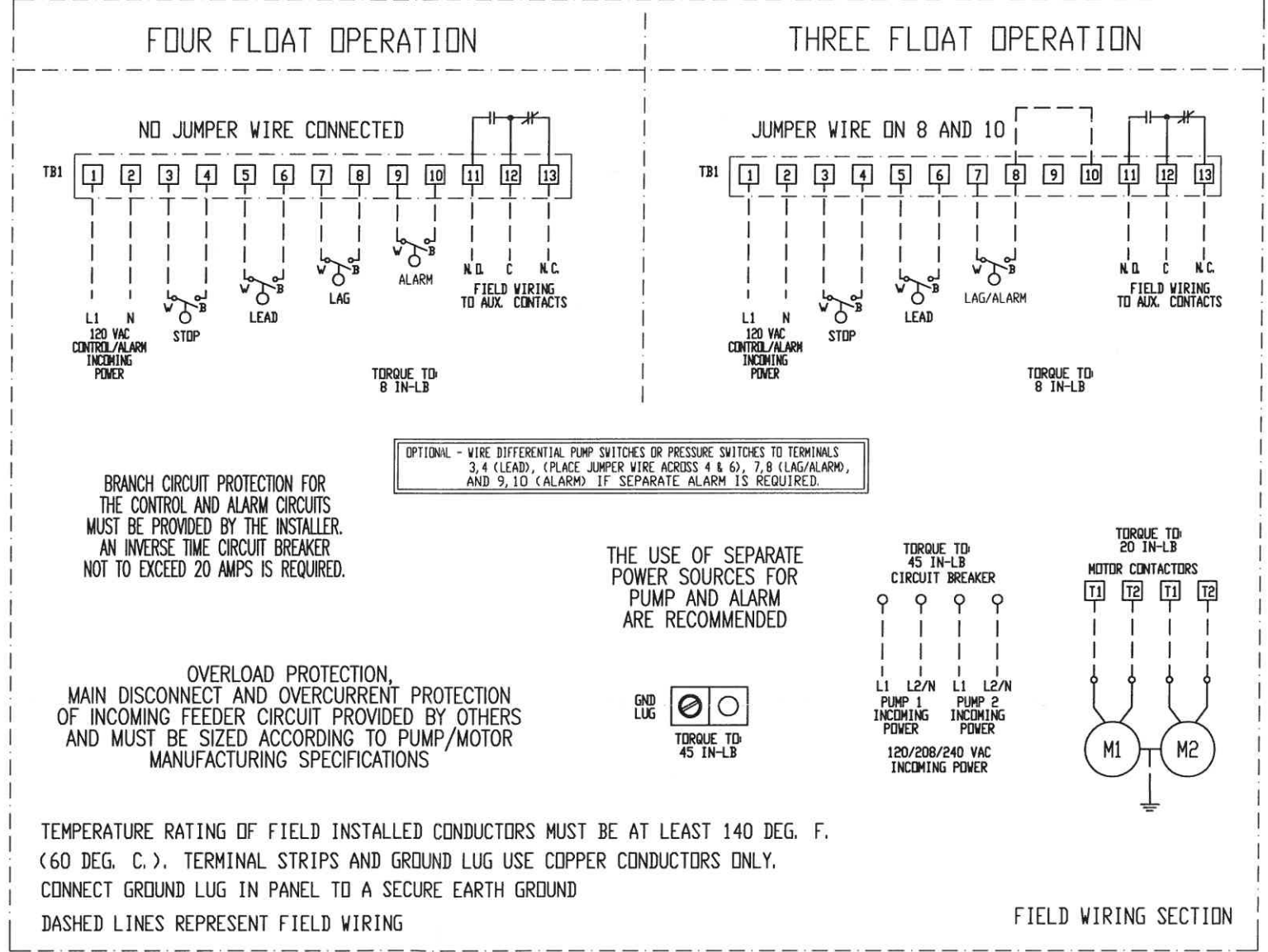
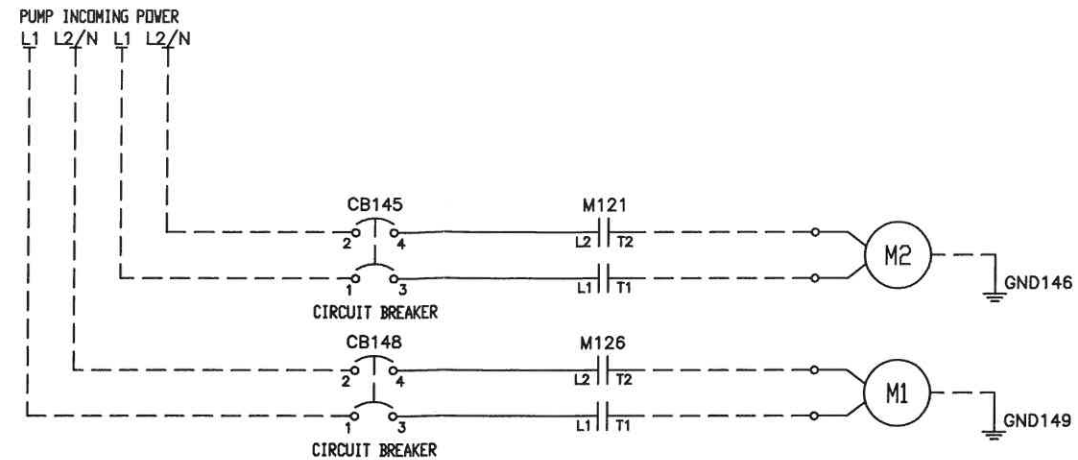
100
101
102
103
104
105
106
107
108
109
110
111
112
113
114
115
116
117
118
119
120
121
122
123
124
125
126
127
128
129
130
131
132
133
134
135
136
137
138
139
140



□	L1-2/T1-2
■	145
□	L1 T1
■	

□	L1-2/T1-2
■	148
□	L1 T1
■	

141
142
143
144
145
146
147
148
149
150
151
152
153
154
155
156
157
158
159
160
161
162
163
164
165
166
167
168
169
170
171
172
173
174
175
176
177
178
179
180
181



ACTUAL MODEL NUMBER ORDERED
1221W114H6A17A

WAS: 1221*(0,1,2,3)4(H,X)6A*

NOTICE: THIS DRAWING CONTAINS PROPRIETARY INFORMATION AND IT SHALL NOT BE USED OR REPRODUCED OR ITS CONTENTS DISCLOSED IN WHOLE OR IN PART, WITHOUT PRIOR WRITTEN CONSENT.										SJE Rhombus			
REV	ECO NO.	DATE	DRWN	APPD	DRWN BY	DATE	CHKD BY	DATE	APPD BY	DATE	PROJECT NO.	QUOTE NO.	REV.
B	4647	6/09	GDV	KLC	GDV	11/2/05	GDV	11/2/05	KLC	11/3/05	1018001	N/A	B
A	0002613	11/05	GDV		DEM NAME		DEM P/N		PAGE	SCALE	TITLE		
					N/A		N/A		1 of 1	NONE	LT, RH, SCHEM (SEE ABOVE)		